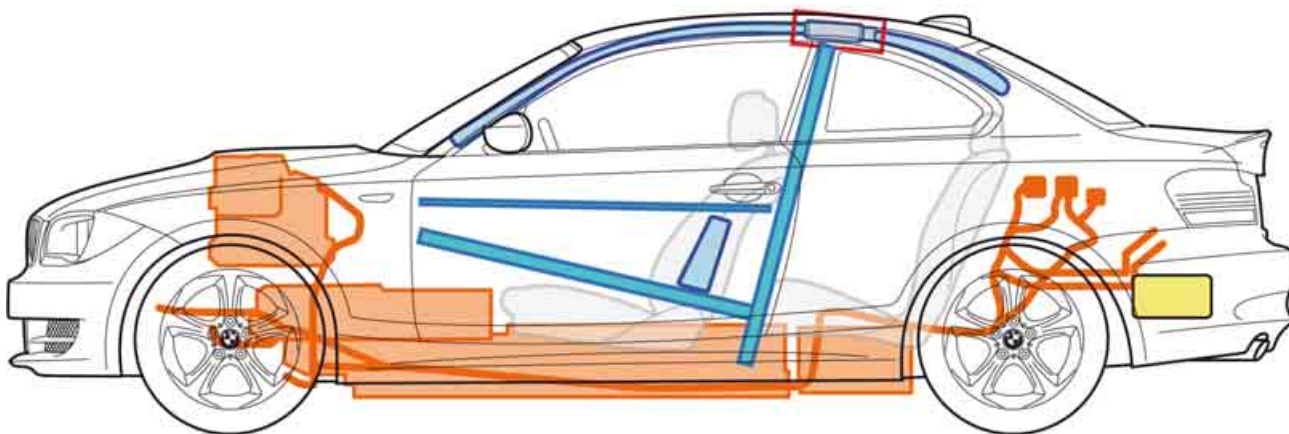
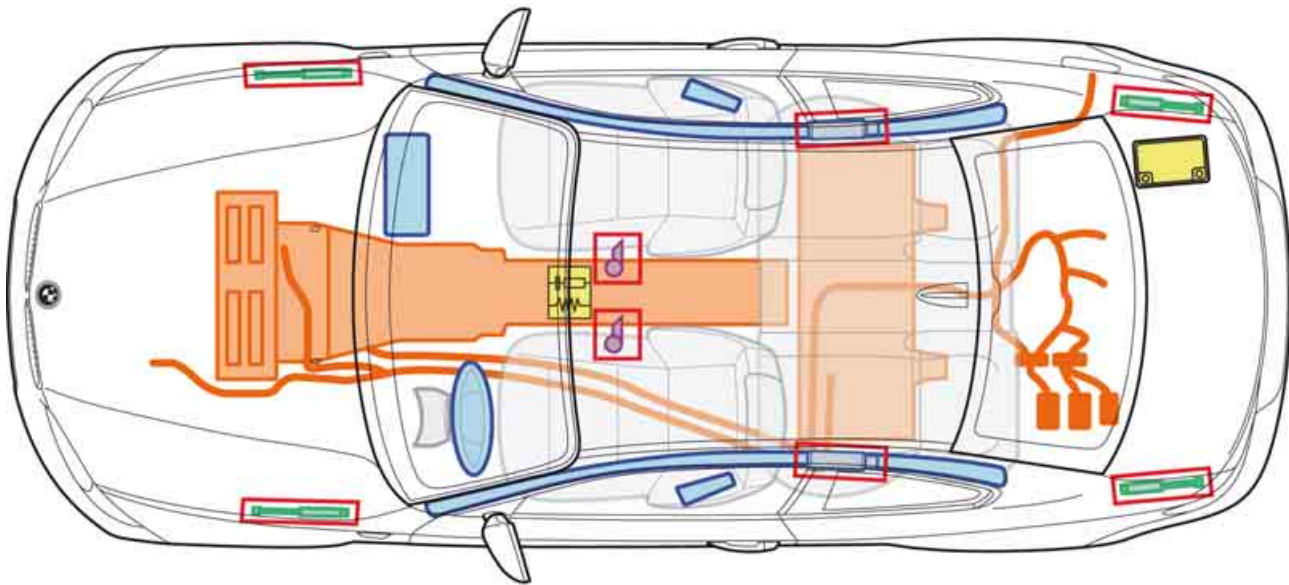












BMW ActiveE

(since 09/2011)



Legend

	Airbag		Bodywork reinforcements		Airbag control unit
	Gas generator		Gas pressure damper		12-Volt battery
	Belt tensioner		High-voltage components		

This overview shows the maximum vehicle equipment.




Special features:


High-voltage system with DC voltage up to 355 Volts! Do not touch high-voltage components.
For labelling characteristics and details, see reverse!

Labelling characteristics:

- No exhaust system, see arrow.
- Scoop on the engine compartment lid, see arrow.



	<p>Remarks:</p> <p>The negative terminal of the 12 Volt battery must be disconnected.</p> <ul style="list-style-type: none"> • Disconnecting the negative terminal of the 12 Volt battery automatically disables the high-voltage system. • In the event of an accident in which the airbag is triggered, the high-voltage system is also disabled.
---	---

	<p>Risk of death!</p> <p>Do not touch high-voltage components.</p>
---	---

The three high-voltage batteries are located:

- In the engine compartment (directly up against the bulkhead)
- In the central tunnel area (gear tunnel/crank shaft)
- In the tank area (below the back seat bench)

Labelling of the high-voltage battery:



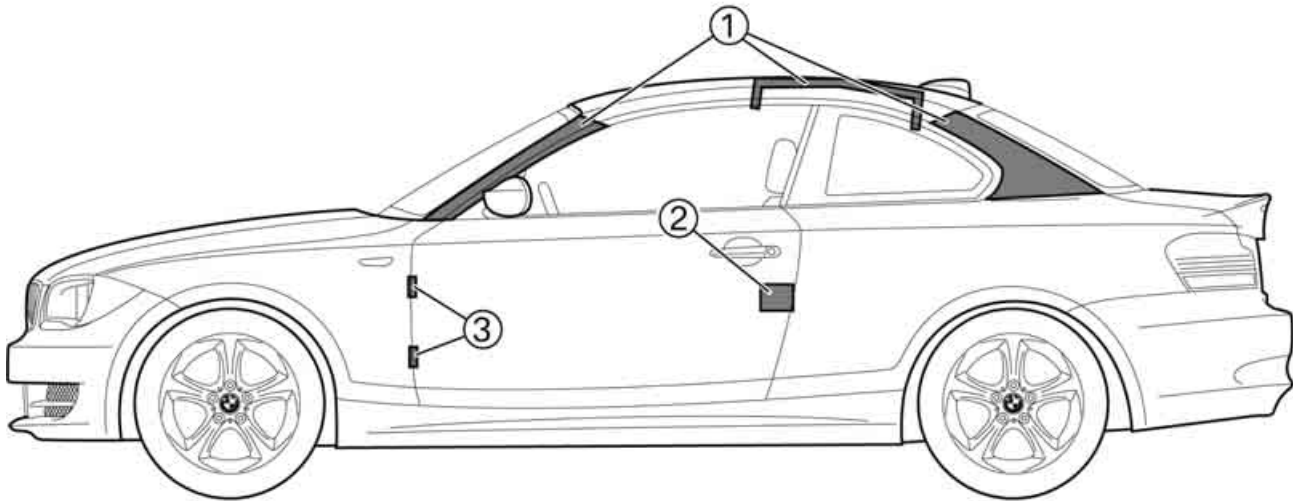
- BEV13 Elektrisches Energiespeichersystem $U_n= 355,2V$; $C=18Ah$; $m=255kg$
- BEV10 Elektrisches Energiespeichersystem $U_n= 355,2V$; $C=18Ah$; $m=503kg$
- Tank: $U_n= 103,6V$; $C=18Ah$; $m=138kg$
- Tunnel: $U_n= 159,1V$; $C=18Ah$; $m=234kg$
- Stirnwand: $U_n= 92,5V$; $C=18Ah$; $m=134kg$

Labelling of the other high-voltage components:



Opening the car

This information applies only to trained rescue workers. An understanding of how safety systems work, along with a knowledge of the car's characteristics, are also required.



- 1** The areas mark points at which the roof can be disconnected.
Modern high-performance cutters are required for cutting open the bodywork; older hydraulic cutting devices may be insufficient.
The high-performance cutters must be used by trained personnel, expertly and properly.
- 2** Door locks
- 3** Door hinges

Important information

The information for relief units must be observed; see Emergency services guidelines, pages 4 - 33.