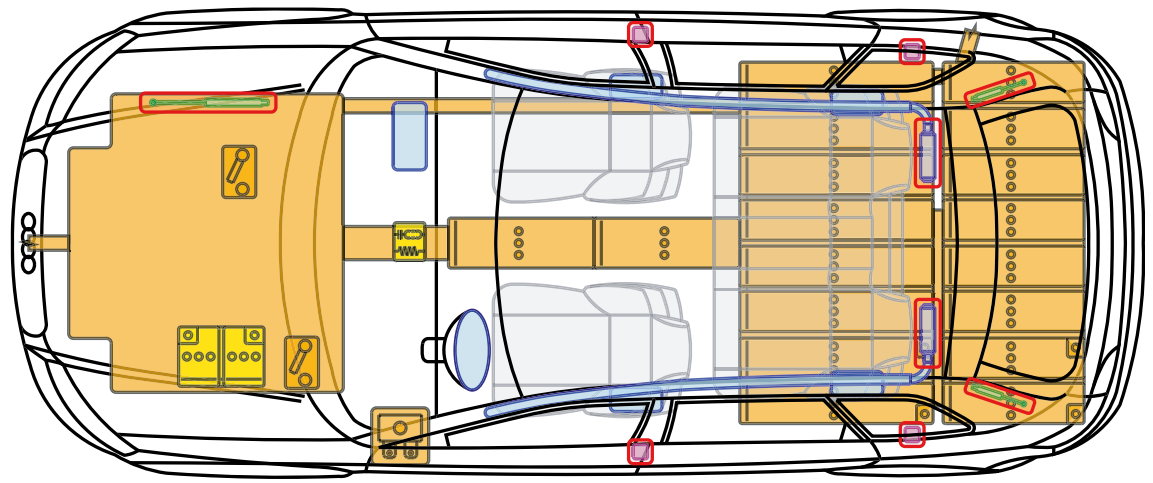


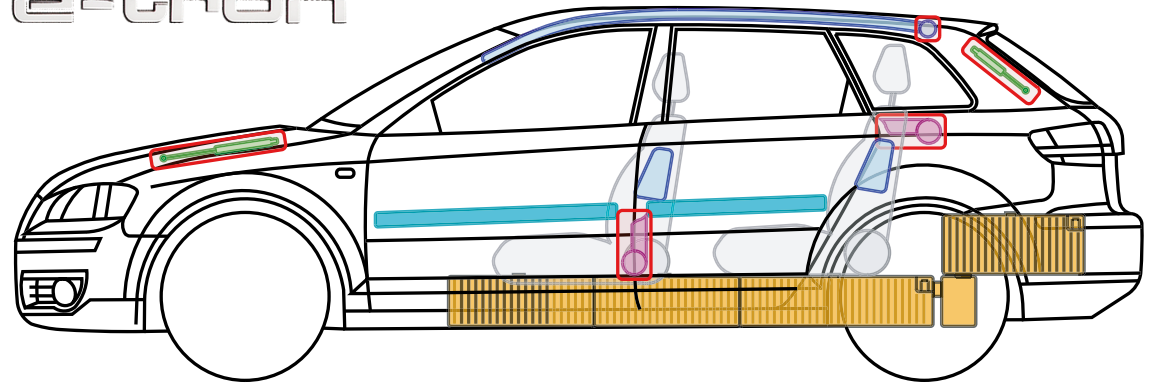


▶ Audi A3 e-tron

from 2011



e-tron



⚠ High-voltage system, 324 V DC! Up to 400V AC in the engine compartment! Do not touch any high-voltage components!

Legend

	Airbag		Reinforcement		Control module		High-voltage leads/ components
	Gas-generator		Rollover protection		12V battery		Fuse panel
	Pre-tensioner		Gas-pressure damper		High-voltage battery		High-voltage disconnecting point



▶ Audi A3 e-tron

from 2011

Vehicle Identification

The Audi A3 e-tron can be identified by means of the "e-tron" logo.



Warning label in the engine compartment on the hood latch



Instrument cluster



Lettering on the wing



Lettering on the sides above both doors



Warning label on high-voltage components

Securing the vehicle so it will not roll



1. Secure the vehicle from the outside so it will not roll.
2. Move the selector lever into the "P" position.
3. Set the parking brake.



▶ Audi A3 e-tron

from 2011

Deactivating the Vehicle

Deactivating the drive system and the high-voltage system

(Ignition and fuse panel accessible inside the passenger compartment)



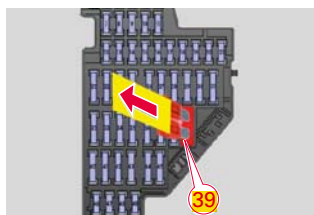
1. Turn the ignition key to the "OFF" position and remove completely from the ignition switch.

! The ignition key deactivates the passive safety systems such as airbags and safety belt pretensioners once the airbag control module discharges (about 4 seconds).

Before the module discharges, there is a risk that the airbag could be triggered due to damage to the airbag system. Keep away from the airbags until the module has been electrically discharged.



2. Locate access to the fuse panel on the left side of the instrument panel and open the cover.



3. Pull the red fuse number 39 that is marked with a yellow marking (fifth row from the top, first fuse from the right).

! The high-voltage system will be disabled within about 15 seconds after deactivation. During this time, there is still a risk of electric shock. After that time period, the high voltage system is disabled.



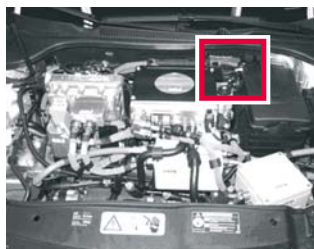
▶ Audi A3 e-tron

from 2011

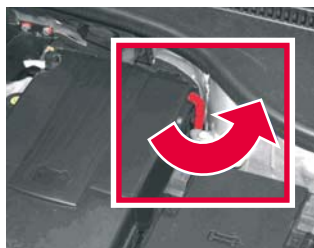
Deactivating the Vehicle

Deactivating the drive system and the high-voltage system

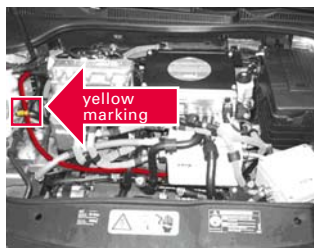
(Engine compartment accessible)



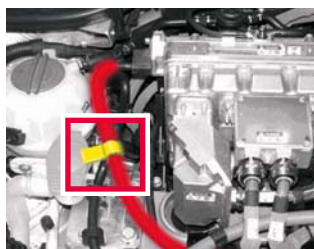
1. Locate the ground cable on the standard 12 volt battery in the engine compartment.



2. Disconnect the ground connection where it is screwed on.



3. Locate the 12 volt positive cable for the power electronics in the engine compartment.



4. Disconnect the 12 volt positive connection for the power electronics at the yellow marking.



The high-voltage system will be disabled within about 15 seconds after deactivation. During this time, there is still a risk of electric shock. After that time period, the high-voltage system is disabled.

The ignition key deactivates the passive safety systems such as airbags and safety belt pretensioners once the airbag control module discharges (about 4 seconds).

Before the module discharges, there is a risk that the airbag could be triggered due to damage to the airbag system. Keep away from the airbags until the module has been electrically discharged.

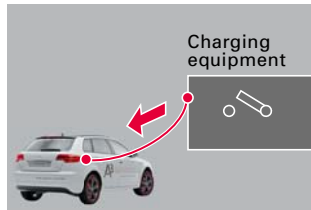


▶ Audi A3 e-tron

from 2011

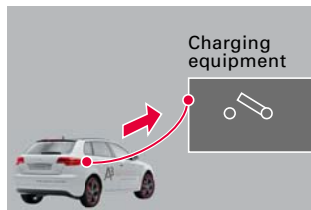
Disconnecting the Charging Power Supply

Disconnecting the charging cable at the charging column/charging station



1. **Stop the charging process at the charging column/charging station.**
2. **Disconnect the charging connector.**

Disconnecting the charging cable at the vehicle charging socket



The charging connector must always be disconnected from the vehicle, if possible.



▶ Audi A3 e-tron

from 2011

Safety Guidelines for Lithium-Ion Batteries

Read and follow the points below before working with lithium-ion batteries.

Vehicle Fire

- ▶ **If there is a fire, the vehicle must be extinguished and cooled with a very large amount of water. Foam and CO₂ are also suitable extinguishing agents for high-voltage batteries.**
- ▶ If the high-voltage batteries are burning together with other combustible materials, the methods used to fight the fire must also be suitable for the other materials.
- ▶ When fighting the fire, a self-contained breathing apparatus and personal protective equipment must be worn.
- ▶ Always stay a safe distances away from the vehicle. Avoid physical contact with the components of the high-voltage battery.



Failure to use enough water when extinguishing the high-voltage battery can cause a chemical reaction that results in the accumulation of dangerous substances and gases.

Inhaling the gases from a high-voltage battery fire can result in damage to the eyes, lungs, as well as other parts of respiratory systems. Contact with components of the high-voltage battery can cause skin and eye injuries.

Vehicle in Water

After recovering the vehicle from the water, the water inside the vehicle must drain before emergency response personnel can begin working. Work can then be performed on the vehicle in accordance with established safety guidelines (personal protective equipment).



Failure to heed this information can result in serious injuries.



Audi A3 e-tron

from 2011

Guidelines for Audi Test Vehicles

Who should be notified?

If you determine during the investigation or at any other point that a Audi test vehicle is involved in the accident:

- ▶ Inform the responsible dispatch center immediately and have the information forwarded from there to the police.
- ▶ If your dispatch center is unaware that test vehicles are being used in your area, ask the driver of the test vehicle, if possible, if individuals at Audi should be informed of the accident and pass this information on to the dispatch center.

There is generally an information sheet in the vehicle that provides information about which authorities and individuals at Audi should be informed.